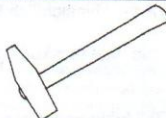
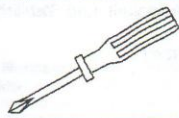




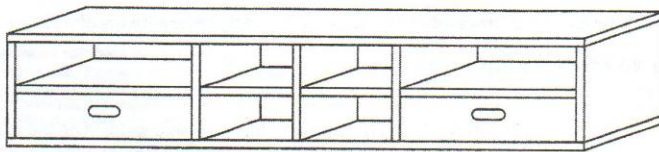
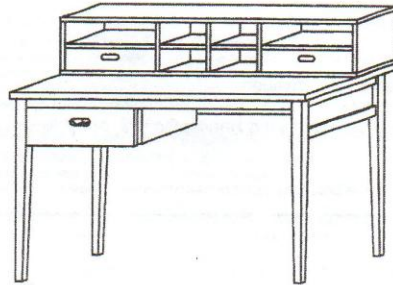
Gebrauchs- u. Montageanleitung - Servicekarte  
 Assembly instructions - service card








Ident.-Nr



100207-1

77328



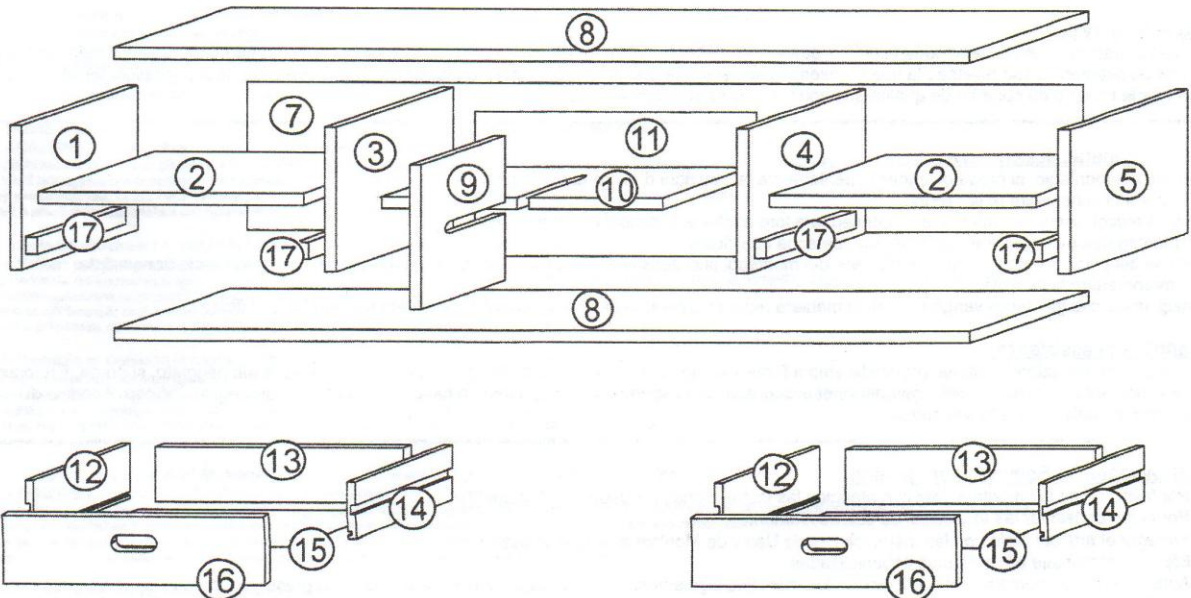
A = 20 x 	B = 20 x 	C = 28 x  8 x 30
D = 6 x  1,2x20	E = 8 x  4,0 x 35	F = 2 x 
G = 8 x  3,5x20		

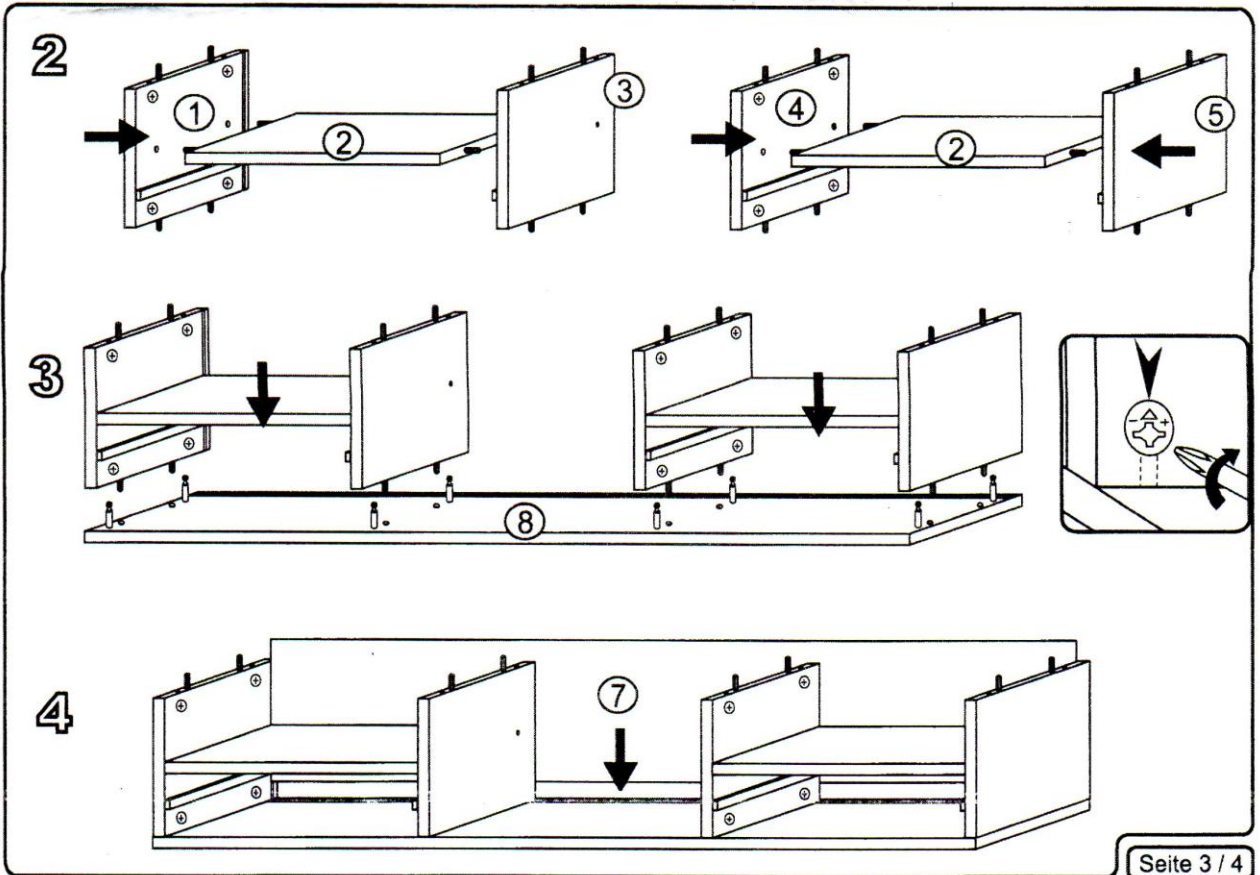
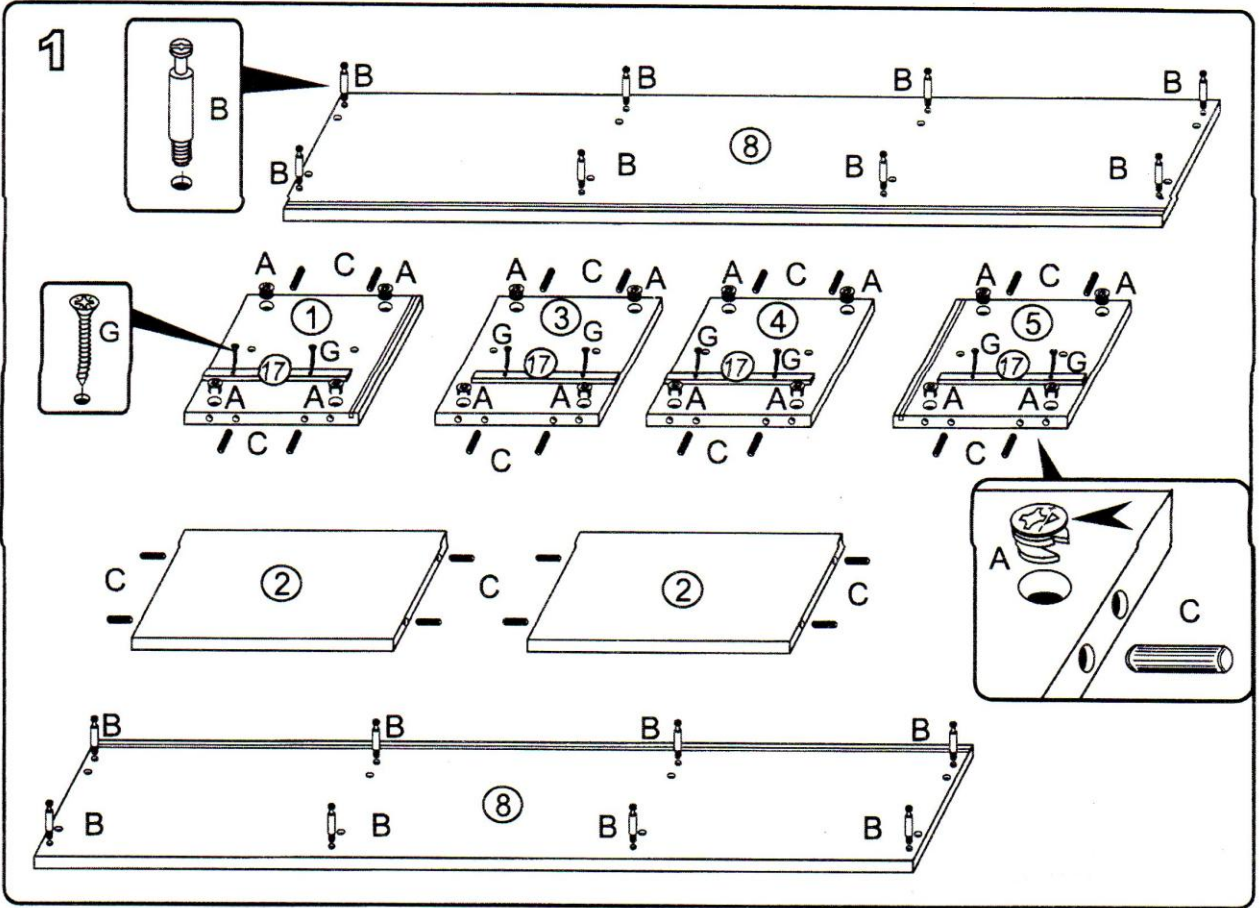
Name:.....Strasse:.....

Ort:.....Telefon:.....

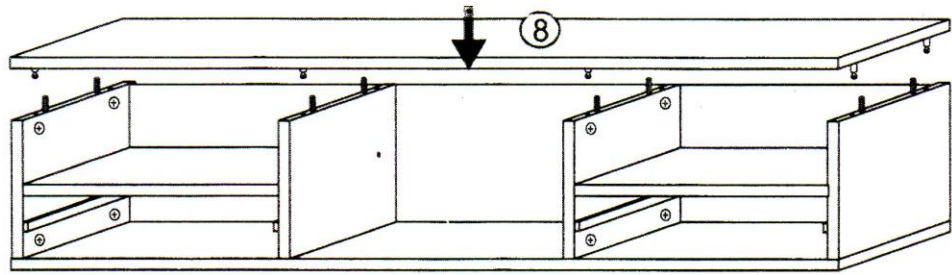
Wellemöbel

<http://www.welle-moebel.de>  
 e-mail: [info@welle.com](mailto:info@welle.com)  
 fax: +49 (0) 52 51-883 645

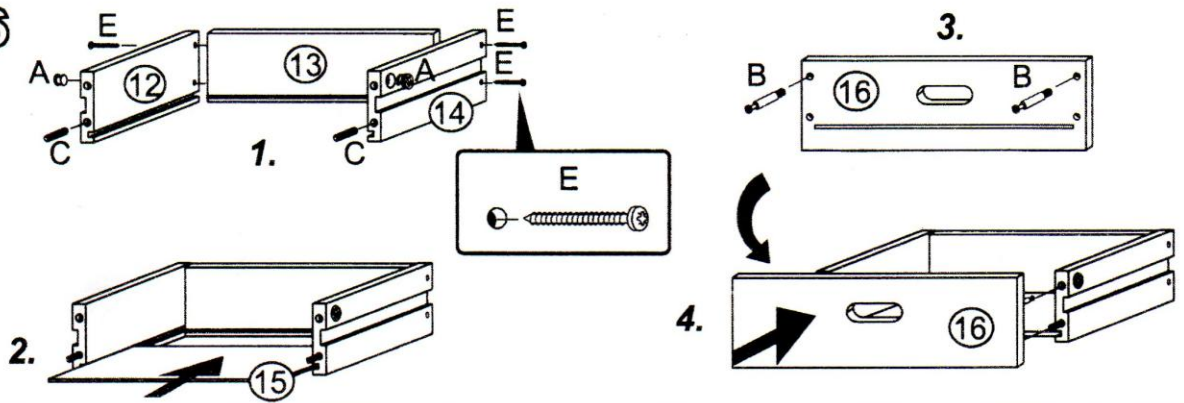




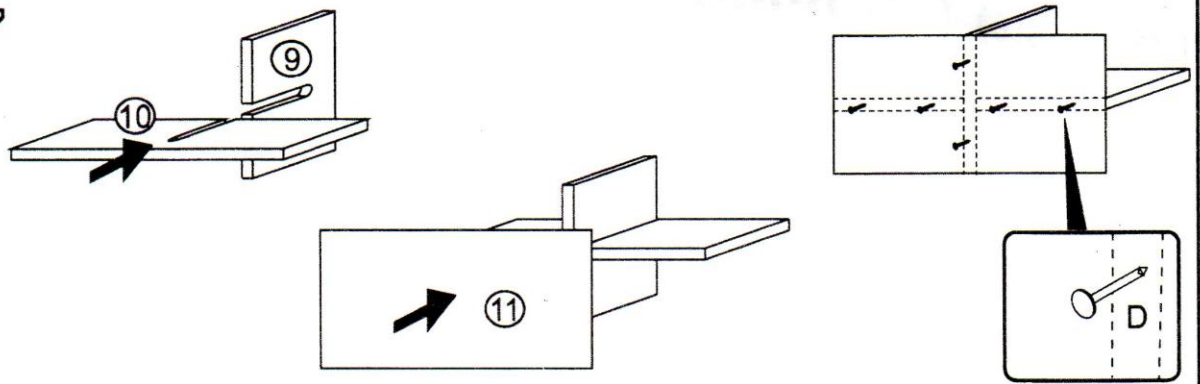
5



6



7



8

